

Industrial Strength Extracted Polishing Machine

STOPS HARMFUL DUST BEING INHALED
& ELIMINATES DUSTY WORKSHOPS

NOW WITH
LOWER SOUND
LEVELS



POLIMAX ONE
The professionals
choice

Made in Britain



Balco
Engineering Limited

Unit Z, Hamstead Ind Est, Austin Way, Great Barr
Birmingham, B42 1DU, England
Tel: 44 (0)121 358 1456 Fax: 44 (0)121 357 4159
Email: info@balco.co.uk Website: www.balco.co.uk
Manufacturing processing equipment since 1969



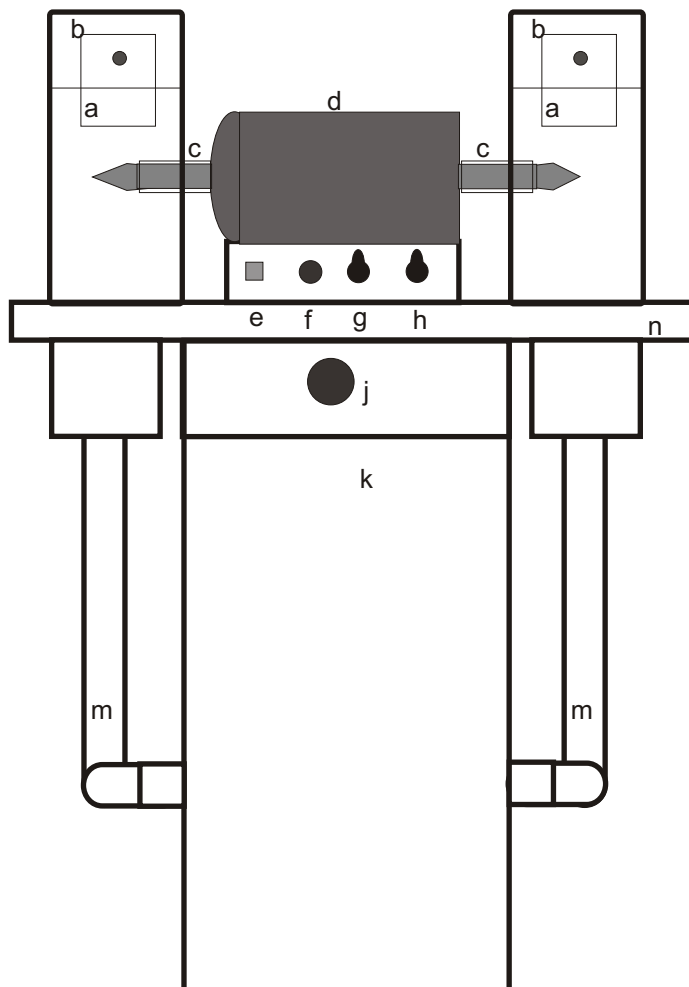
DS 50

POLIMAX 1

polishing extractor

The POLIMAX 1 is a continuously rated polishing machine designed for the polishing of metal and other materials. The extraction system sucks the contaminated air from the polishing area and passes it through fabric filters to remove the dust. Cleaned air is ducted to the rear of the machine for return to the workshop area.

QUICK TO INSTALL AND EASY TO USE



- a = Clear safety screen
- b = Adjustable cowl assembly
- c = Shaft guard
- d = Polishing motor
- e = Neon light
- f = Fuse 10 amp anti-surge type
- g = Polishing motor on/off switch
- h = Dust extraction on/off switch
- j = Shaker knob
- k = Extractor cover
- m = Flexible connection pipes
- n = Work top

Height floor to work top = 900mm
Maximum width = 900mm
Maximum front to rear = 680mm
Maximum wheel/mop size = 200mm
Weight = 50 Kgs nett
Sound level: 70dB at one metre
Polishing motor speed = 2800 rpm.
Variable speed available by request
Standard Ip54. Cap. 36µF
Polishing motor power = 1.5hp (1.15kw) 6.6A
Extractor motor power = 0.5 hp (.37kw) 3.1A
Standard IP64. Cap. 16µF
POLIMAX total maximum current 10 amps
Voltage 220 - 240 volts 50 / 60 Hz

**Also available with a variable speed
polishing motor 50 - 2800 rpm**



Unit Z, Hamstead Ind Est, Austin Way, Great Barr
Birmingham, B42 1DU, England
Tel: 44 (0)121 358 1456 Fax: 44 (0)121 357 4159
Email: info@balco.co.uk Website: www.balco.co.uk
Manufacturing processing equipment since 1969

