

# Industrial Strength Extracted Polishing Machine

STOPS HARMFUL DUST BEING INHALED  
& ELIMINATES DUSTY WORKSHOPS

NOW WITH  
LOWER SOUND  
LEVELS



**POLIMAX ONE**  
The professionals  
choice

Made in Britain



Registered office: Unit Z, Hamstead Industrial Est,  
Austin Way, Great Barr, Birmingham, B42 1DU  
Reg. No: 1414313 VAT No: 294 5870 13  
Tel: 44 (0) 121 358 1456 Fax: 44 (0) 121 357 4159  
Email: [info@balco.co.uk](mailto:info@balco.co.uk) Website: [www.balco.co.uk](http://www.balco.co.uk)  
*Manufacturing processing equipment since 1969*

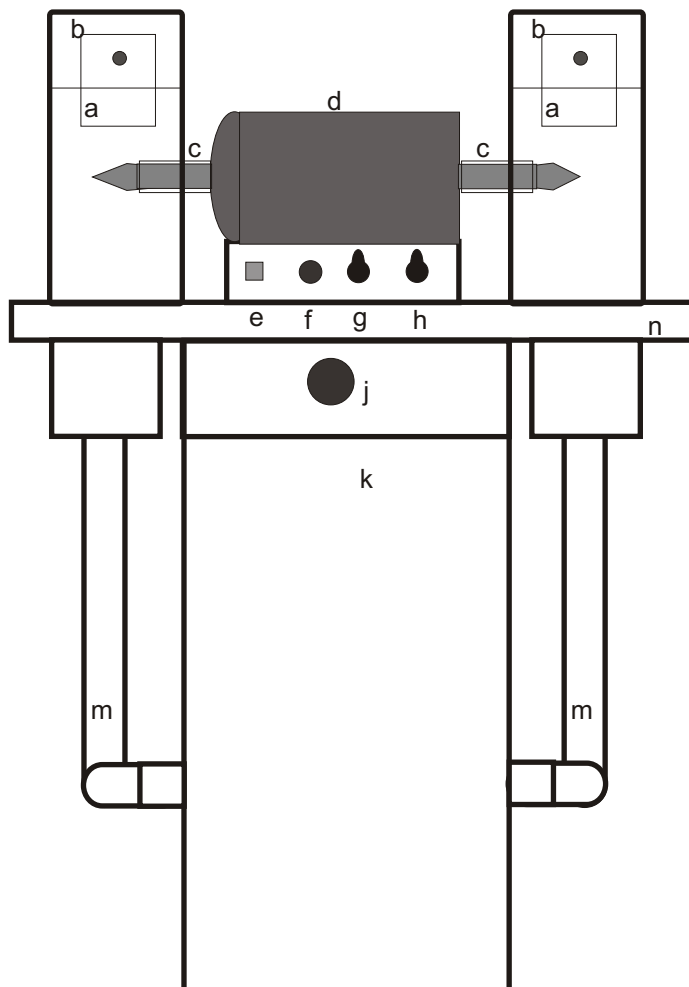


# POLIMAX 1

## polishing extractor

The POLIMAX 1 is a continuously rated polishing machine designed for the polishing of metal and other materials. The extraction system sucks the contaminated air from the polishing area and passes it through fabric filters to remove the dust. Cleaned air is ducted to the rear of the machine for return to the workshop area.

### QUICK TO INSTALL AND EASY TO USE



- a = Clear safety screen
- b = Adjustable cowl assembly
- c = Shaft guard
- d = Polishing motor
- e = Neon light
- f = Fuse 10 amp anti-surge type
- g = Polishing motor on/off switch
- h = Dust extraction on/off switch
- j = Shaker knob
- k = Extractor cover
- m = Flexible connection pipes
- n = Work top

Height floor to work top = 900mm  
 Maximum width = 900mm  
 Maximum front to rear = 680mm  
 Maximum wheel/mop size = 200mm  
 Weight = 50 Kgs nett  
 Sound level: 70dB at one metre  
 Polishing motor speed = 2800 rpm.  
 Variable speed available by request  
 Standard Ip54. Cap. 36µF  
 Polishing motor power = 1.5hp (1.15kw) 6.6A  
 Extractor motor power = 0.5 hp (.37kw) 3.1A  
 Standard IP64. Cap. 16µF  
 POLIMAX total maximum current 10 amps  
 Voltage 220 - 240 volts 50 / 60 Hz

Also available with a variable speed  
 polishing motor 50 - 2800 rpm



Registered office: Unit Z, Hamstead Industrial Est,  
 Austin Way, Great Barr, Birmingham, B42 1DU  
 Reg. No: 1414313 VAT No: 294 5870 13  
 Tel: 44 (0) 121 358 1456 Fax: 44 (0) 121 357 4159  
 Email: [info@balco.co.uk](mailto:info@balco.co.uk) Website: [www.balco.co.uk](http://www.balco.co.uk)  
*Manufacturing processing equipment since 1969*

